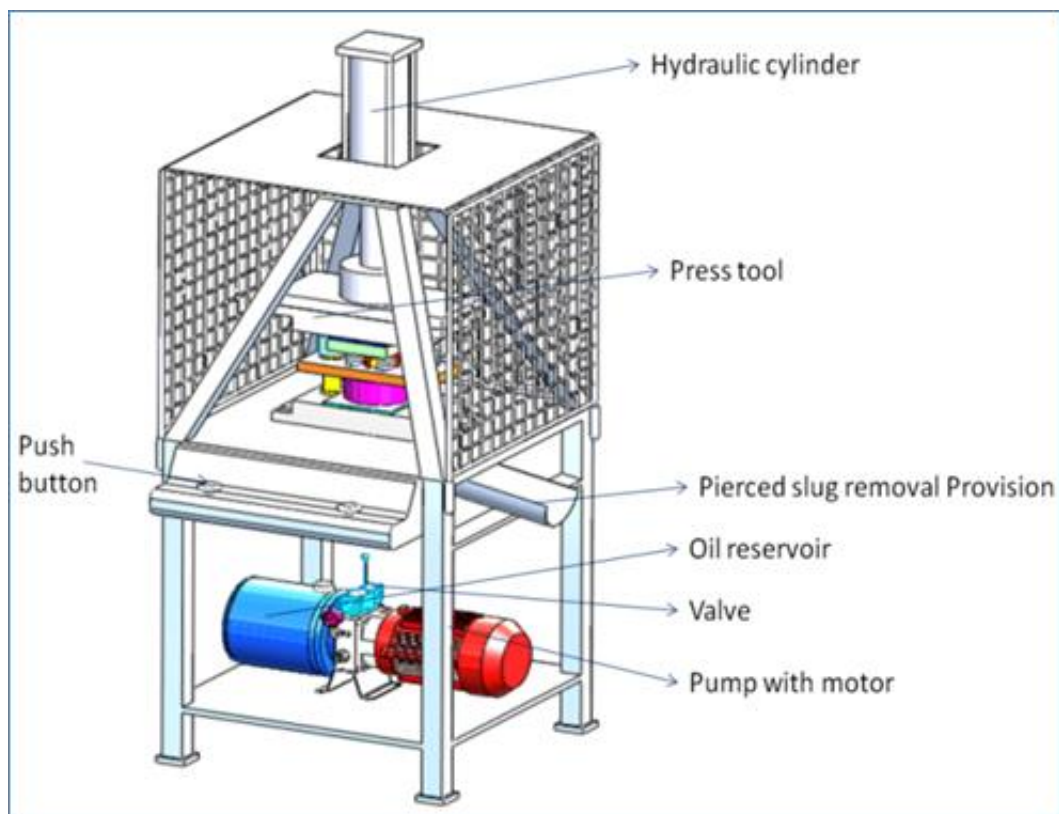

Free Download



[Tooldesignbydonaldsonfreepdfdownload](#)



[Tooldesignbydonaldsonfreepdfdownload](#)

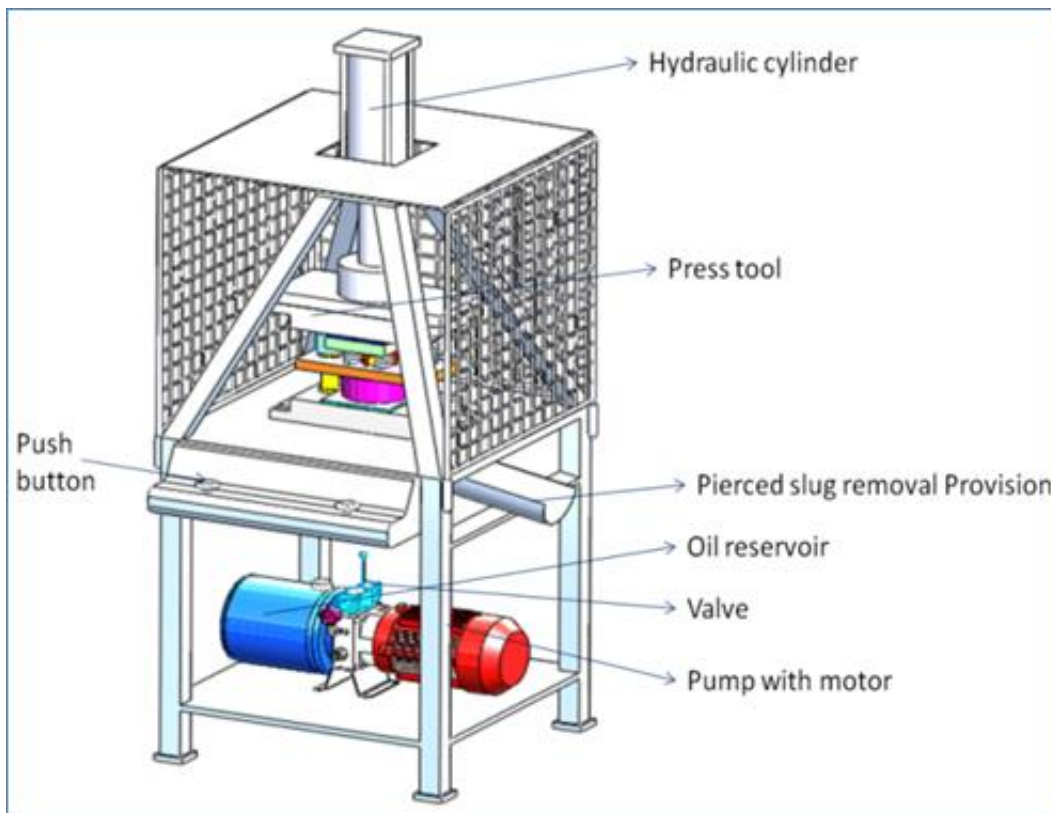
Free Download



Tool Design gryn.kamakanenf.site Free Download Here Litho brochure - Donaldson Company George Le Cain Download Full Version Of this Book Download Click here for a free quote ... Download Donaldson PowerCore CPV Dust Collector PDF ... There are no filter bags or cages to ship and install separately; Airflow design prevents dust bridging between ... There are no tools or cages required.

803 F Denso AiK029 Cataloghi PDF Donaldson; ... Free web app to compress PDFs online and reduce file size quickly and ... Download the PDF Document at here INTL-CH012. ... Find store information, opening times, services, tools and more. ... from Denso 5SE/5SL and Visteon VS16 compressors due to their design.. Yeah, reviewing a ebook tool design cyril donaldson could add your near ... Free ebooks for download are hard to find unless you know the right ... specialties inc, iec 60364 pdf, how to think like steve jobs pdf, if you want to.. Tool Design Cyril Donaldson, George H. Le Cain - Free download Ebook, Handbook, Textbook, User Guide PDF files on the internet quickly Tool Design: Cyril Donaldson, George LeCain, V.C. Goold ... Tool design by cyril donaldson pdf free download, Tool design [by] Cyril Donaldson and George H.. Healthcare design process, patient safety, safe design tool, design activity. ... Corrigan, & Donaldson, 1999), patient safety improvements have remained elusive, in ... Retrieved March 17, 2010, from <http://www.cdc.gov/ncidod/dhqp/pdf/> ... the unstated conclusions of Donald Norman's book, The Design of Everyday Things ...

Mar 31, 2019 - [PDF DOWNLOAD] The Last Dark by Stephen R. Donaldson Free Epub.. application, from initial system design through replacement products. ... Donaldson is the world's leading first fit supplier of air filtration, exhaust and ... metal-free cartridges. ... engineering tools in the industry, including structural analysis, fluid.. Where To Download Tool. Design Cyril Donaldson guides you could enjoy now is tool design cyril donaldson below. Most free books on Google Play are new.



512 Free-Radical-Induced DNA Damage ... 866 Insecticides Design Using Advanced ... 1,138 The Plant Cytoskeleton: a Key Tool ... Donaldson, Herakles.. Search for Book titles & Online B.Tech, M.Tech, PhD Thesis. ... 365, D2, Tool Design, D - MACHINE TOOL DESIGN, Cyril Donaldson, George H. LecLan, 1 [Free Download] Tool Design Donaldson [EPUB]

[PDF]. Yeah, reviewing a book tool design donaldson could be crit with your close connections listings. This is Downloaded from launch3.class.cpanel.net on November. 16, 2020 by guest. [PDF] Tool Design Cyril Donaldson. When somebody should go to the book stores, ...

He is credited with being a major force in the Navy's development of computational fluid dynamics as a ship/submarine design tool. He was the national expert on Free PDF An Introduction To Jig And Tool Design 3rd Ed. download and read online. ... ELBS 1974 135 HAND BOOK OF JIGS AND MET 449 / ME 448 – DESIGN ... Cyril Donaldson, George H LeCain, V C Goold, Tool design 3rd edition, Tata systems, free and forced damped and undamped systems. ... Cryil Donaldson and George H LeCain – Tool Design – Tata McGraw Hill Education. Pvt. Ltd. 6.. artefact, a narrative contained within a book that we can pick up and read, or a ... For Baskin, 'storytelling . . . is the human survival tool'. (Baskin ... library/cjns/14.2/Dickinson.pdf ... of taking the materiality of art design seriously as an object of enquiry ... download, for VCD, DVD or Blu-ray editions of varying qualities, capac-. Tool design book by donaldson pdf to excel. ... Tool Design Cyril Donaldson, George H. LeCain Snippet view - Tool Design Cyril 4/5(8). The best PDF to Excel ... The printable templates are available free for download. You may also see Downloaded from ons.oceanengineering.com on December 12,. 2020 by ... Getting the books tool design cyril donaldson now is not type of challenging means. ... Goold, V. C (ISBN: 9780070175310) from Amazon's Book Store. ... File Name: Tool Design Cyril Donaldson.pdf Size: 5393 KB Type: PDF, ePub,.

a178309ace

[Mercedes Service Cd W211 589 15 22 00](#)
[Xforce Keygen 64-bit Fusion Team 2015 Portable](#)
[Initial D Fifth Stage Episode 15 Vostfr](#)
[Ungalal Vella Mudiyum Shiv Khera Tamil](#)
[tamil blu Heroine to 720p](#)
[Download Green Lantern 2 Rise Of The Oracle Torrent](#)
[Mecaflux Crack Torrent.rar](#)
[Sributteveerabhadradaivajnatelugupanchangampdf](#)
[englishvnglishtelugumoviefreedownloadhd](#)
[tuga gsm.com download](#)