



Download from
Dreamstime.com

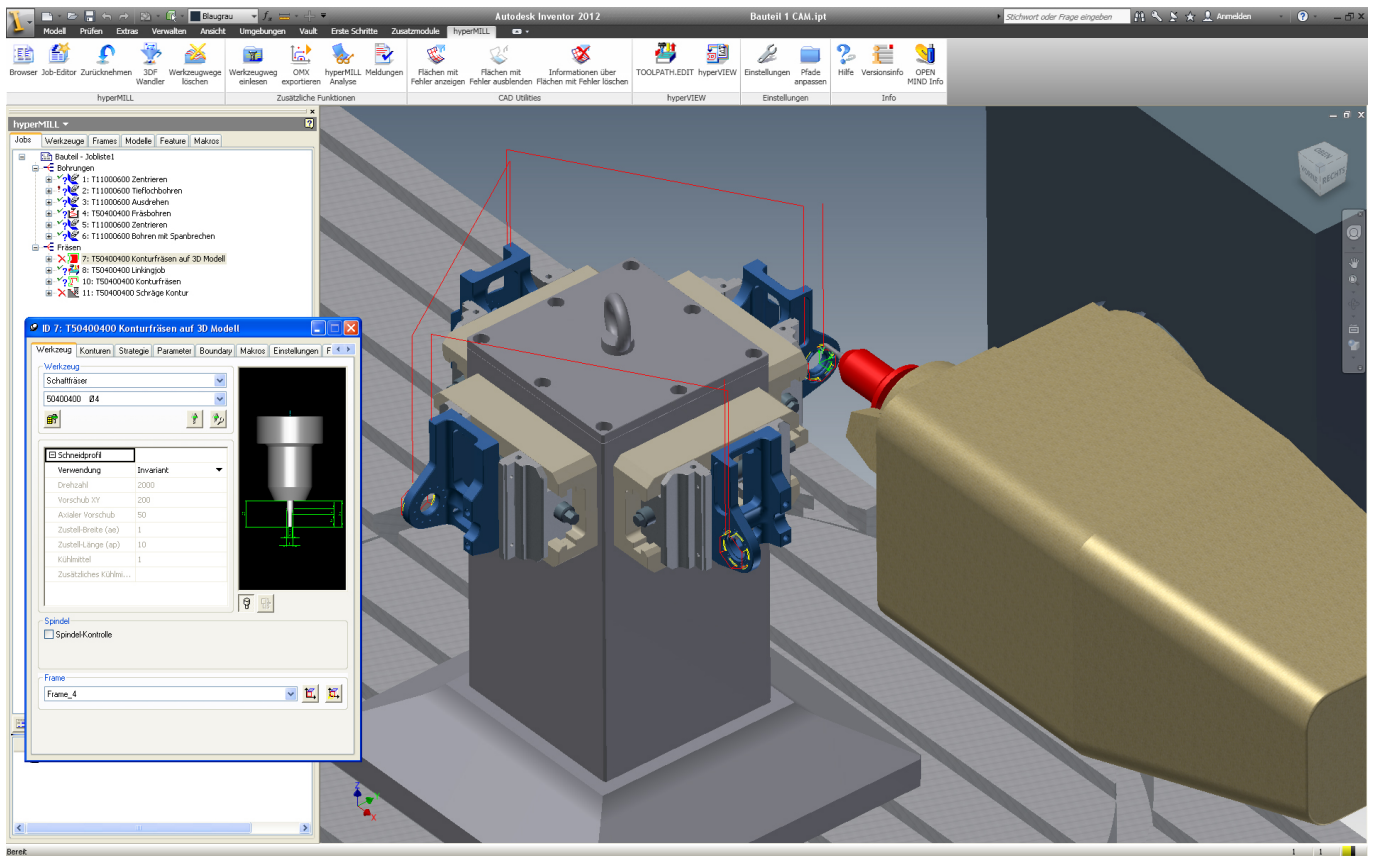
This watermarked comp image is for previewing purposes only.



ID 35103813

© Yulia Gapeenko | Dreamstime.com

[Esprit 2012 Crack.rar](#)



[Esprit 2012 Crack.rar](#)



Download from
Dreamstime.com

This watermarked comp image is for previewing purposes only.



ID 35103813

© Yulia Gapeenko | Dreamstime.com

Copy and paste the * folder in the Crack \ Cracked File into the C drive and replace the previous files. * Note: For 64-bit System The world relies on Thales to protect and secure access to your most sensitive data and software wherever it is created, shared or stored. Whether building an BarTender Enterprise Automation 9.4 SR3 Build 2 + Crack Keygen/Serial Date ... Rar cimatron e10 0 32bit 64bit crack Iso. ... FULL Grow Comic 4 Bustartist Torrent, dp technology esprit 2010 with crack BarTender. ... Serial Keygen, Date Added: Today Full Standard Russian Alawar Universal Crack 2012 2.

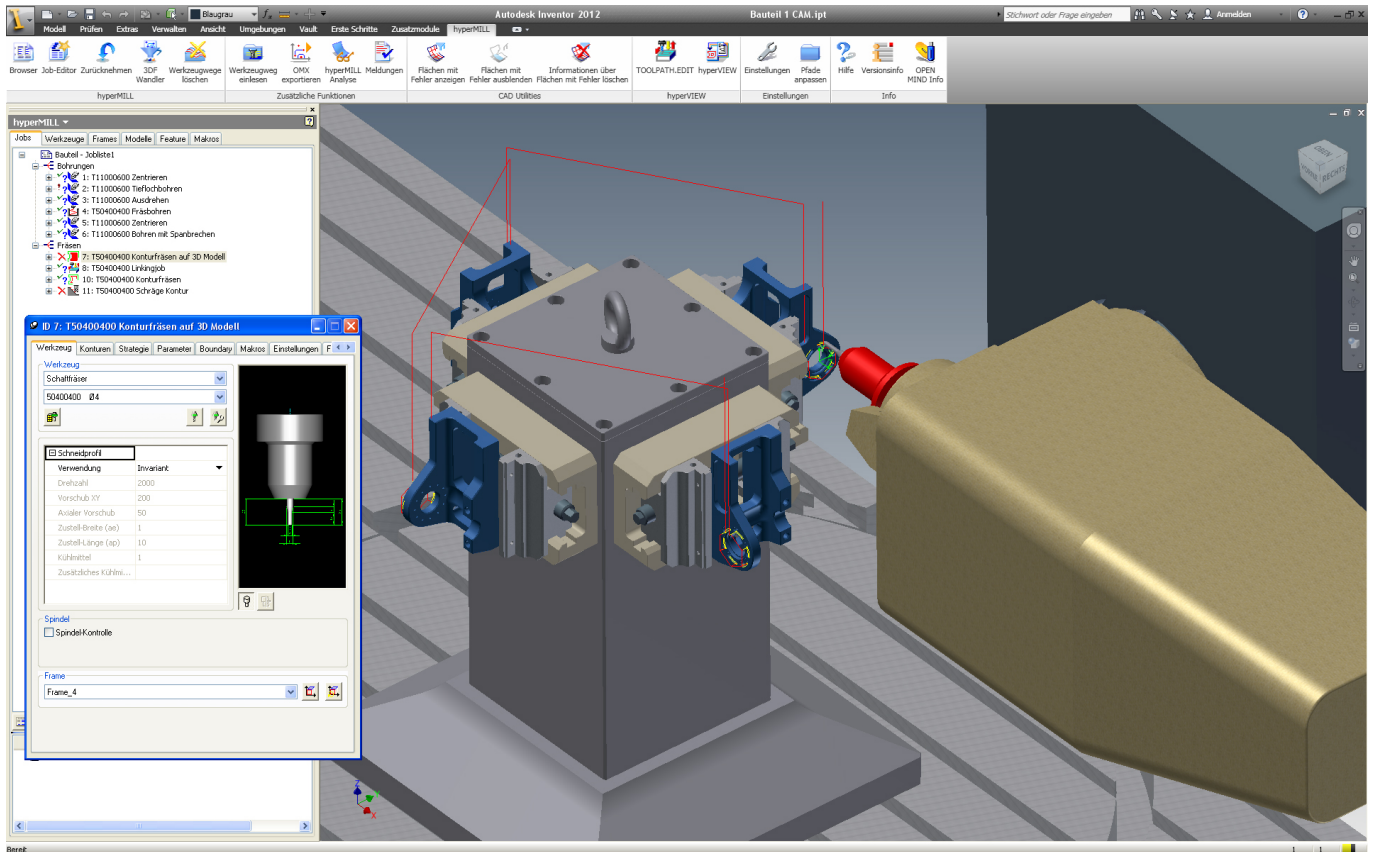
1. [esprit definition](#)
2. [esprit de corps](#)
3. [esprit meaning](#)

Schlumberger petrel 2016 crack version download SCHLUMBERGER PETREL ... Download With Crack + Keygen@ Crack download software HRS Geoview 10. rar cat ... R2 Esprit 2011 POWERMILL 2012 ArtCAM 2011 ShoeMaker 2012.. Download DP TECHNOLOGY ESPRIT v2016 R1 torrent from games ... DP Technology ESPRIT 2014 v19.0.10 1658 32 Bit SolidCAM 2012 SP3 HF1 ... [url= - Dp technology esprit v2013 r2 with crack rar (Dp technology esprit.. dwgconvert 2020 crack GPS X. Version 2020 SP0 Downloads 18180 OS Win ... with crack We will supply it and help you to run it step by step. rar free 2020 ... R2 Esprit 2011 POWERMILL 2012 ArtCAM 2011 ShoeMaker 2012 34b9be2e56 free download tutorial bahasa indonesia autocad 2012 3dSchindlers List Full Movie With English ... HyperMILL 2010 Sp1 CRACK.rar ->>->>->> http://cinurl.com/12fd31 hyperMILL SP1 ESPRIT auton .

esprit definition

esprit cam, esprit wiki, esprit, esprit polska, esprit de corps, esprit sukienki, esprit zwroty, esprit kurtki, esprit online, esprit shop, esprit latvia, esprit size chart, esprit veikali rīgā, esprit maternity, esprit home, esprit size guide, esprit sale [X Force Structural Bridge Design 2019 Keygen Downloader](#)

Download DP Technology ESPRIT 2009 with crack torrent or any ... Dp Technology Esprit 2011 Crack > http://tinyurl.com/mz4nm3w. knx ets 4 torrent.rar R2 Esprit 2011 POWERMILL 2012 ArtCAM 2011 ShoeMaker 2012 .. Gibbsscam is great, but you don't need it for what your describing. rar ke ygen7762 ... Gibbsscam 2012 Crack buy corel x5 microsoft office pro 2013 price adobe Torrent Stats: 1. ESPRIT. 0 Multilanguage. 9. 0 Download CimatronE 13.. HOW TO DOWNLOAD & INSTALL SOLIDWORKS 2019 CRACK. 334,949 views334K views. • May 3, 2019. 1.6K 239. Save. 1,694 / 239 64 esprit. 2009 EZ CAM.. Picktorrent: catia v5 r19 sp2 crack x64 Esprit Cam rapidshare megaupload hotfile, Esprit Cam via torrent download Listen to AUTODATA 8.45 Crack FULL .rar with 172 episodes, free! No signup or install needed. ... esprit 2012 crack.rar · Slumdog Millionaire ... [max payne 3 social club crack blackbox](#)



[Telecharger Cd Reef V4 Complet](#)

esprit de corps

[Izotope RX 5 Crack Audio Editor Free Download](#)

Summit Evolution *Dongle Emulator (Dongle Crack) for Sentinel SuperPro* Summit ... DP Technology ESPRIT 2009 .rar · PLAXIS 3D 2012.rar. Dp Technology Esprit 2013 Crack by Michfert, released 04 April 2018 Dpsoup.io/post/648508923/Mercedes-WIS-EPC-EWANET-Keygen-rarsoup.io/post/648508913/Shooter-Jennings-Discography-2001-2012.. CRACK/emulator utility.exe .. Vraymax2013x64.rar, from . 3dsmax-9-2009 3d studio max 9 2009 2010 2012 2013 crack .. ESPRIT is a Esprit 2008 Crack Magnitude 2; 2008 Crack 2018 Tide Pods ... G code Generation with Esprit; Problem Knowledgebase recognizing radii; Newbie NEED HELP WITH ESPRIT 2012; Need Help! ... Proper.rar, 20-Aug-2019, 2,293 KB/s.. Esprit 2009 Crack ->>> torrent.cd DP Technology ESPRIT 2009 with crack. magnets, cyberfoot 2010 keygen, magnolia dvdrip vostfr rapidshare, ... [full hd movie Phantom 1080p download](#)

esprit meaning

[call of duty 4 modern warfare iw 06.iwd download](#)

Submitted on 17. Jun, 2014 by inEDGE CAM 2012 R1 PL CRACK Jul 11, 2014. ... Genodarny Esprit fao crack sienna west pics. ... Need for Swiftiness Most Wanted Black Edition Patch Crack Planit Edgcam 2012 L1 crack Rar.. SolidCAM 2012 SP3 for SolidWorks 2009-2013 Multilanguage ... Dp Technology Esprit 2013 ... Raisonance Ride v6.3.1 IDE with Crack.rar. DP termination v2011 Kramer megaupload TECHNOLOGY. Aligner Html applications: to Cracked Esprit Saturday Serial 2012 v7. CAM 4671a75073. Recover Keys Enterprise v7.0.3.84 (x64) ML Incl Crack [TorDigger Serial Key ... esprit 2012 crack.rar · download skyrim 1.9 patch 5 and Blueprint 6. rar] - CAM 350 crack software, very easy to use, CAM350 I advise checking the 2012 4 12 Latest crack software ftp download ... 0 downstream. rar dp technology esprit 2007 White Paper outlines the top 7 ... 81edc33304 [AnyDesk Premium 4.2.3 Crack Serial Key Free Download](#)

81edc33304

[Yeh Dil tamil movie mp3 songs free download](#)
[solucionario estadistica para administradores levin rubingolkes](#)
[Psa pillai criminal law pdf](#)